

Mini indexing plungers

with and without rest position

SPECIFICATION

Types

- Type **B**: without rest position
- Type **C**: with rest position

Guide Steel zinc plated, blue passivated

Pin

Stainless Steel AISI 303

Spring

Stainless Steel AISI 301

Knob Plastic (Polyamide PA)

- black, matt
- not removable

INFORMATION

Mini indexing plungers GN 822.6 are distinguished for their small dimensions.

Based on the principle of the GN 822 (see page 780) mini indexing plungers, this model combines their clever type of construction with a complete series of all current sizes of bolts and threads. They provide a reasonably priced alternative to the GN 607 (see page 769) / GN 607.1 (see page 770) indexing plungers of the appropriate sizes. To mount, first turn the mini indexing plunger in with the knurled button. Pulling the indexing pin will release the hexagonal nut which can then be tightened with an open-end spanner.

They are inserted into position by holding them by the serrated knob. The spanner flats on the lock nut are revealed when retracting the pin, so that the mini indexing plunger can be easily tightened by means of a fork spanner.

In type C, the button can be turned by 30° after retracting the indexing pin, holding it in the "retracted" position using the indexing lock.

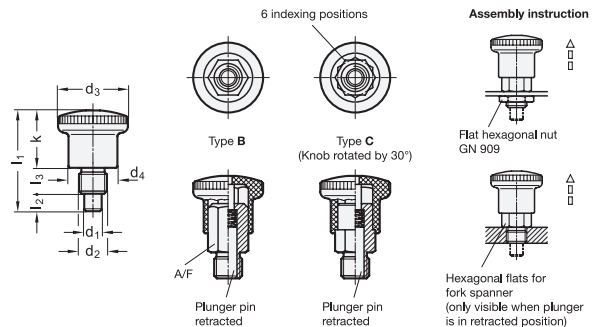
- Range of indexing plungers (see page 738)

ACCESSORY

Distance bushings GN 609.5 (see page 810) or flat hexagonal nuts GN 909 (see page 809) are to be ordered separately.

* Complete with type index of the Mini indexing plungers (B or C)

B	C
without rest position	with rest position



GN 822.6

Description	d1 Bore +0.03/+0.08 Pin h9	d2	d3	d4	l1	l2 min.	l3	k	A/F	Spring load in N ≈ initial	Spring load in N ≈ end	⚖
GN 822.6-4-M8-*	4	M 8	21	15	27.5	5	6	16.5	10	4	12	14
GN 822.6-4-M8x1-*	4	M 8x1	21	15	27.5	5	6	16.5	10	4	12	14
GN 822.6-5-M10-*	5	M10	25	18	34	6	8	20	12	6	16	25
GN 822.6-5-M10x1-*	5	M 10x1	25	18	34	6	8	20	12	6	16	26
GN 822.6-6-M10-*	6	M10	25	18	34	6	8	20	12	6	16	40
GN 822.6-6-M10x1-*	6	M 10x1	25	18	34	6	8	20	12	6	16	42
GN 822.6-6-M12-*	6	M12	28	20	40.5	7	10	23.5	14	10	23	60
GN 822.6-6-M12x1.5-*	6	M12x1.5	28	20	40.5	7	10	23.5	14	10	23	67
GN 822.6-7-M12-*	7	M12	28	20	40.5	7	10	23.5	14	10	23	69
GN 822.6-7-M12x1.5-*	7	M12x1.5	28	20	40.5	7	10	23.5	14	10	23	70
GN 822.6-8-M16-*	8	M 16	33	23	47.5	10	12	25.5	17	11	35	71
GN 822.6-8-M16x1.5-*	8	M 16x1.5	33	23	47.5	10	12	25.5	17	11	35	72
GN 822.6-10-M16-*	10	M 16	33	23	47.5	10	12	25.5	17	11	35	75
GN 822.6-10-M16x1.5-*	10	M 16x1.5	33	23	47.5	10	12	25.5	17	11	35	76

Weight type B

